

Metallisch Dichtende

Absperr-Kugelhähne

Metal Seated

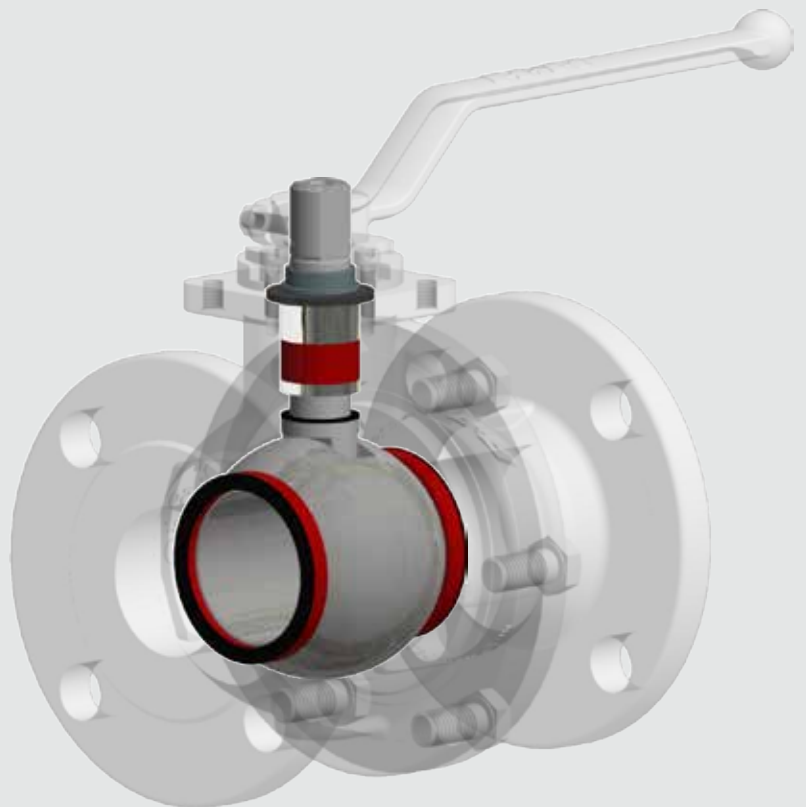
Isolator Ball Valves

TYP KHF 510

- DN 15-150, PN 10-40
- **Flansche & Baulängen:**
DIN EN 558 Reihe 27/ Reihe 1
DIN EN 1092-1
- **Werkstoffe:**
1.4408 (CF8M)
1.0619 (WCB)
Sonderwerkstoffe (Duplex,
Hastelloy C4...etc.) auf Anfrage
- **Temperaturbereich:**
-50°C bis +280°C
-58°F bis +536°F

TYPE KHF 510

- DN 15-150, PN 10-40
- **Flange & face-to-face-dimensions:**
DIN EN 558 Reihe 27/ Reihe 1
DIN EN 1092-1
- **Materials:**
1.4408 (CF8M)
1.0619 (WCB)
Special Materials (Duplex,
Hastelloy C4...etc.) on request
- **Temperature range:**
-50° up to +280°C
-58°F up to +536°F

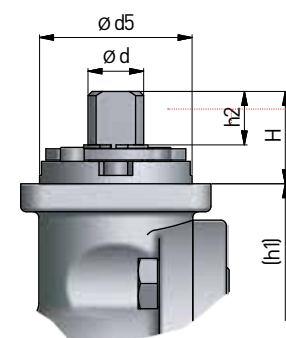
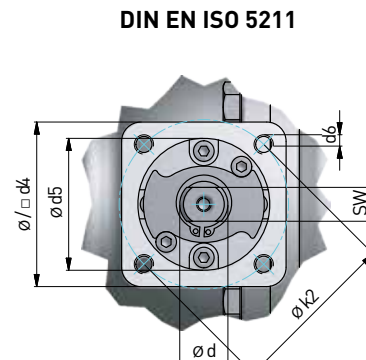
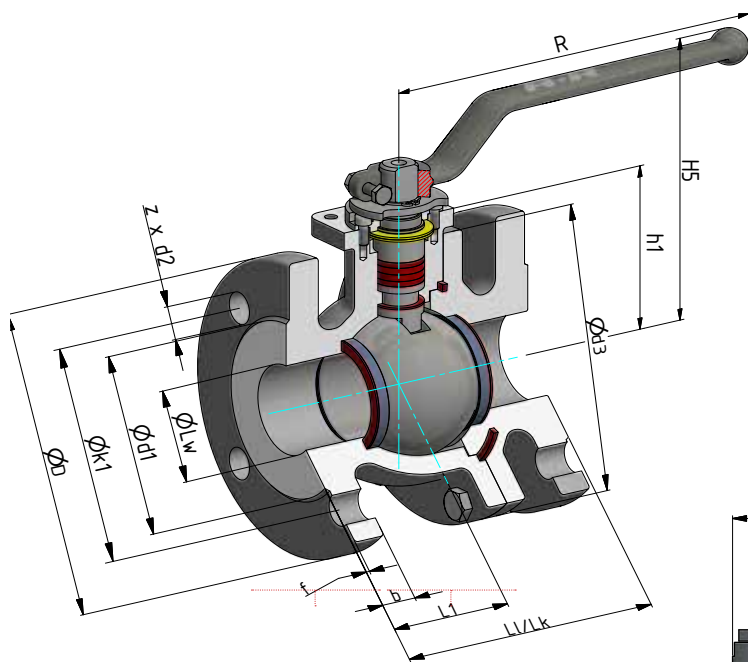


TYP KHF 510 metallisch

Maßzeichnung

TYPE KHF 510 metal seats

Dimensional Drawing



DIN EN ISO 5211

ISO 5211	Øk2	d6	thread length	Ød5 (f8)	Ø/□d4
F 05	50,0	4 x M6	10,0	35,0	□48
F 07	70,0	4 x M8	12,0	55,0	□68
F 10	102,0	4 x M10	15,0	70,0	□96
F 12	125,0	4 x M12	18,0	85,0	Ø150

MAßTABELLE TYP KHF 710

MEASURING GUIDE TYPE KHF 710

DN	PN	ØLw	Lk ¹	Ll ²	L1	ØD	Øk1	Ød1	b	f	Ød2	z	H	h1	h2	Ød	SW	Øk2	d6	Ød5	□/Ød4	Ød3	H5	R	Weight kg	ISO 5211	
																									Lk	Ll	
15	40	16	115	130	47,0	95	65	45	16	2	14	4	17	63	9,2	16	12,4	50	4xM6	35	49	90	128	160	3,5	3,6	F 05
20	40	20	120	150	49,0	105	75	58	18	2	14	4	17	63	9,2	16	12,4	50	4xM6	35	49	90	128	160	4,1	4,3	F 05
25	40	25	125	160	52,0	115	85	68	18	2	14	4	17	63	9,2	16	12,4	50	4xM6	35	49	90	128	160	4,7	5,0	F 05
32	40	32	130	180	55,0	140	100	78	18	2	18	4	17	68	9,2	16	12,4	50	4xM6	35	49	98	133	160	6,2	6,6	F 05
40	40	40	140	200	69,5	150	110	88	18	3	18	4	29	80	14	20	14,0	70	4xM8	55	68	129	147	215	9,0	9,4	F 07
50	40	50	150	230	70,0	165	125	102	20	3	18	4	33	93	18	20	14,0	70	4xM8	55	68	160	160	215	13,4	14,4	F 07
65	16	65	170	290	80,0	185	145	122	18	3	18	4	35	115	18	20	14,0	102	4xM10	70	96	190	184	215	18,9	21,0	F 10
65	40	65	170	290	80,0	185	145	122	22	3	18	8	35	115	18	20	14,0	102	4xM10	70	96	190	184	215	19,6	22,0	F 10
80	40	80	180	310	86,0	200	160	138	24	3	18	8	37	124	20	25	19,3	102	4xM10	70	96	212	211	300	25,0	29,2	F 10
100	16	100	190	350	94,5	220	180	158	20	3	18	8	37	141	20	25	19,3	102	4xM10	70	96	242	228	300	30,8	37,0	F 10
100	40	100	190	350	94,5	235	190	162	24	3	22	8	37	141	20	25	19,3	102	4xM10	70	96	242	228	300	33,9	39,5	F 10
125	16	125	325	400	162,5	250	210	188	22	3	18	8	43	222	30	35	25,5	125	4xM12	85	Ø150	287	270	635	67,0	72,0	F 12
125	40	125	325	400	162,5	270	220	188	26	3	26	8	43	222	30	35	25,5	125	4xM12	85	Ø150	287	270	635	72,0	77,0	F 12
150	16	150	350	480	175,0	285	240	212	22	3	22	8	55	242,5	42	44	32,0	125	4xM12	85	Ø150	327	301	800	100,0	106,0	F 12
150	40	150	350	480	175,0	300	250	218	28	3	26	8	55	242,5	42	44	32,0	125	4xM12	85	Ø150	327	301	800	106,0	112,0	F 12

¹ Lk=kurze Bauform / short pattern DIN EN 558-1 Grundreihe 27

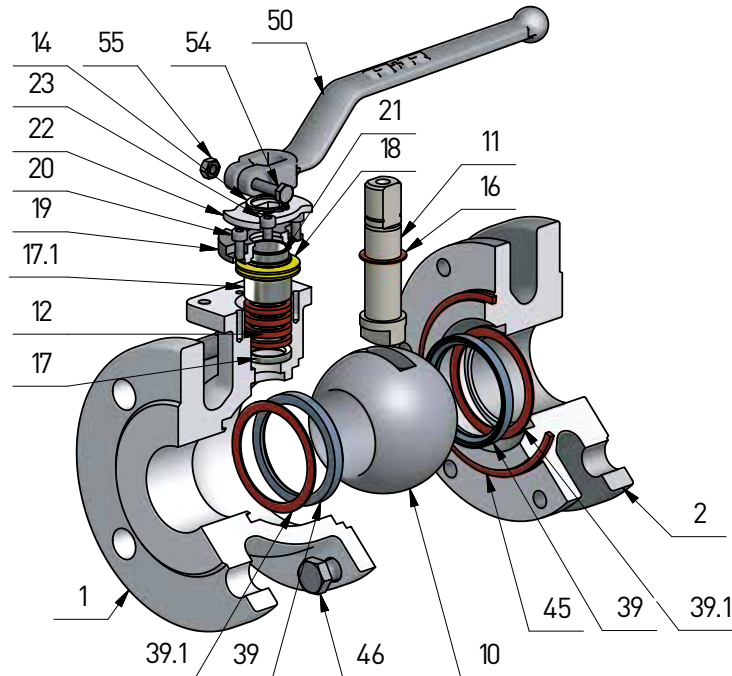
² Ll=lange Bauform / long pattern DIN EN 558-1 Grundreihe 1

TYP KHF 510 metallisch

Explosionszeichnung I

TYPE KHF 510 metal seats

Exploded View I



STÜCKLISTE TYP KHF 510 metallisch

BILL OF MATERIALS TYPE KHF 510 metal seats

Positions Nr. / Item No.	Beschreibung	Item	Edelstahl Ausführung (EGE) stainless steel version	Stahl Ausführung (SGE) carbon steel version
1	Gehäuse	Body	1.4408/ CF8M	1.0619/ WCB
2	Seitenteil	Side cap	1.4408/ CF8M	1.0619/ WCB
10	Kugel ²	Ball ²	1.4408/ CF8M	1.4408/ CF8M
11	Schaltwelle	Stem	1.4462/ 318 LN	1.4462/ 318 LN
12	Dichtring ¹	Stem seal ¹	Graphite	Graphite
14	Sicherungsring	Safety ring	1.4310/ 301	1.4310/ 301
16	Gleitring ¹	Thrust ring ¹	Graphite	Graphite
17	Druckring	Ring	1.4401/ 316	1.4401/ 316
17.1	Druckring	Ring	1.4401/ 316	1.4401/ 316
18	Tellerfeder	Cup spring	1.4310/ 301/ 1.4568/ 631	1.4310/ 301/ 1.4568/ 631
19	Deckel	Cover	1.4408/ CF8M	1.4408/ CF8M
20	Zylinderschraube	Hex.-socket screw	A2-70/ 304	A2-70/ 304
21	Lagerbuchse ²	Bearing bush ²	1.4404/ 316L	1.4404/ 316L
22	Anschlagscheibe	Stop disc	1.4301/ 304	1.4301/ 304
23	Zylinderschraube	Hex.-socket screw	A2-70/ 304	A2-70/ 304
39	Kugeldichtring ^{1,2}	Ball seat ^{1,2}	1.4404/ 1.4571/ 316L/ 316Ti	1.4404/ 1.4571/ 316L/ 316Ti
39.1	Federelement ¹	Spring element ¹	Graphite	Graphite
45	Gehäusedichtring ¹	Body seal ¹	Graphite	Graphite
46	Sechskantschraube	Hex bolt	A4-70/ 316	A2-70/ 304
50	Handhebel	Handle	1.4308/ CF8	1.4308/ CF8
54	Sechskantschraube	Hex bolt	steel galvanized	steel galvanized
55	Sechskantmutter	Nut	steel galvanized	steel galvanized

¹ Empfohlene Ersatzteile/ recommended spare parts

² Hartbeschichtet/ hard coated

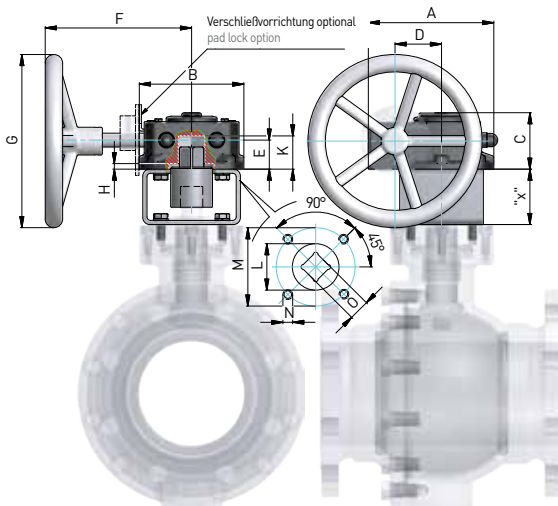
TYP KHF 510 metallisch

Zubehör

TYPE KHF 510 metal seats

Accessories

Handgetriebe Typ AR manual worm gear type AR



HANDGETRIEBE

TYP AR

MANUAL WORM GEAR

TYPE AR

Typ/ Type	max. torque	A	B	C	D	E	F	G	H	K	L	M	N	O	ISO 5211
AR 1	200 Nm	113,0	84,0	64,0	43,5	28,5	153,5	160,0	4,5	30,0	35,0	70,0	M8	17	F07
AR 2	800 Nm	185,0	135,0	90,5	68,8	42,5	267,5	250,0	2,5	50,0	60,0	125,0	M12	27	F12
AR 2,5	1500 Nm	206,0	156,0	97,0	84,0	45,0	328,0	500,0	2,0	60,0	85,0	140,0	M16	36	F14
AR 3	2000 Nm	236,0	180,0	100,0	96,5	50,0	340,0	500,0	2,0	65,0	85,0	140,0	M16	36	F14
AR 3,5	3000 Nm	279,0	250,0	117,5	117,5	48,5	380,0	600,0	2,0	75,0	115,0	165,0	M20	46	F16
AR 4	4000 Nm	326,0	282,0	128,0	137,5	54,5	424,0	600,0	3,5	75,0	130,0	165,0	M20	46	F16

BRÜCKENHÖHE "x"

STANDARD

DIMENSION OF BRACKET "x"

STANDARD

gear box	ball valve	
	ISO 5211	F 10
AR 1	F 07	80
AR 2	F 12	80
AR 2,5	F 14	-
AR 3	F 14	-
AR 3,5	F 16	-
AR 4	F 16	-



Schließ-,
Rastvorrichtung
locking, blocking
device

ISO - Flansch -
Mantelrohr

ISO - flange -
support tube

Verlängerung
mit Stützrohr
extension with
support tube

KONSTRUKTIONSMERKMALE:

- DGRL 2014/68/EU
- AD-2000
- TA-Luft
- Fire-Safe
- Leckagerate „A“ EN 12266-1
- Angefedertes Kugeldichtsystem
- Schwimmende Kugel

DESIGN FEATURES:

- DGRL 2014/68/EU
- AD-2000
- TA-Luft
- Fire-Safe
- Leckagerate „A“ EN 12266-1
- Live load state of the art sealing system
- Floating ball

A+R - Armaturen® GmbH

Altenhagener Str. 4a // 32107 Bad Salzufen // Telefon +49 5208 - 9102 - 0 // Telefax +49 5208 - 9102 - 90

Email: postoffice@ar-armaturen.com // Internet: www.ar-armaturen.com

© A+R Rev. 01 / 03.18 de-en

technische Änderungen vorbehalten / technical changes reserved