

Weich Dichtende

Hochleistungs-Kugelhähne

Soft Seated

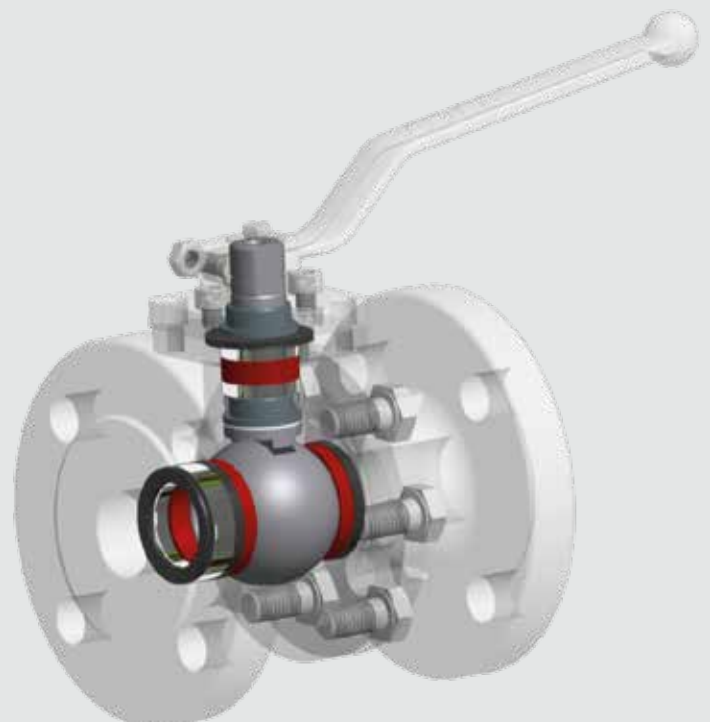
High Performance Ball Valves

TYP KHF 710

- DN 15-300, PN 10-40
- **Flansche & Baulängen:**
DIN EN 558 Reihe 27/ Reihe 1
DIN EN 1092-1
- **Werkstoffe:**
1.4408 (CF8M)
1.0619 (WCB)
Sonderwerkstoffe (Duplex,
Hastelloy C4, etc.) auf Anfrage
- **Temperaturbereich:**
-50°C bis +200°C, bis +230°C auf Anfrage
-58°F bis +392°F, bis 446°F auf Anfrage

TYPE KHF 710

- DN 15-300, PN 10-40
- **Flange & face-to face-dimensions:**
DIN EN 558 Reihe 27/ Reihe 1
DIN EN 1092-1
- **Materials:**
1.4408 (CF8M)
1.0619 (WCB)
Special materials (Duplex,
Hastelloy C4, etc.) on request
- **Temperature range:**
-50° up to +200°C, up to +230°C on request
-58°F up to +392°F, up to 446°F on request

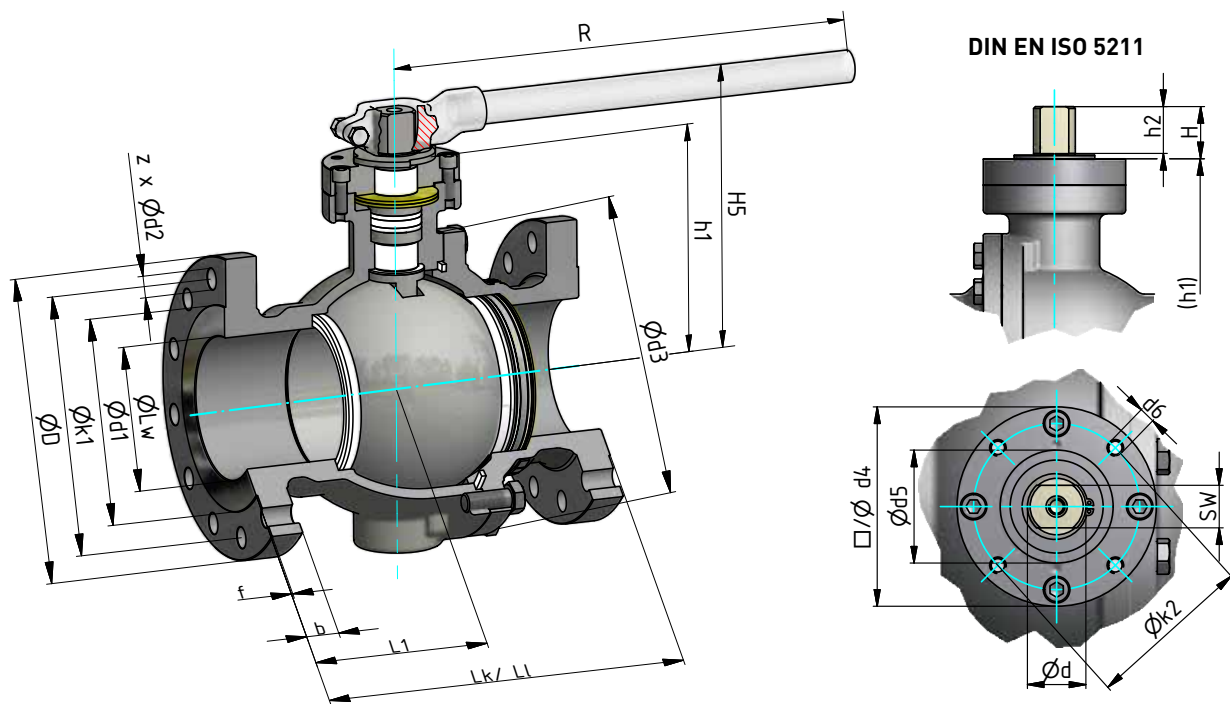


TYP KHF 710 weich dichtend

Maßzeichnung

TYPE KHF 710 soft seats

Dimensional Drawing



MAßTABELLE TYP KHF 710 weich dichtend

MEASURING GUIDE TYPE KHF 710 soft seats

DN	PN	ØLw	Lk ¹	Ll ²	L1	ØD	Øk1	Ød1	b	f	Ød2	z	H	h1	h2	Ød	SW	Øk2	d6	Ød5	□/Ø d4	Ø d3	H5	R	Weight kg Lk Ll	ISO	
15	40	16	115	130	47,0	95	65	45	16	2	14	4	17	63	10	16	12,4	50	4xM6	35	□48	90	133	160	3,5	3,6	F 05
20	40	20	120	150	49,0	105	75	58	18	2	14	4	17	63	10	16	12,4	50	4xM6	35	□48	90	133	160	4,1	4,3	F 05
25	40	25	125	160	52,0	115	85	68	18	2	14	4	17	63	10	16	12,4	50	4xM6	35	□48	90	133	160	4,7	5,0	F 05
32	40	32	130	180	55,0	140	100	78	18	2	18	4	17	68	10	16	12,4	50	4xM6	35	□48	98	138	160	6,2	6,6	F 05
40	40	40	140	200	69,5	150	110	88	18	3	18	4	29	80	14	20	14,0	70	4xM8	55	□68	129	158	215	9,0	9,4	F 07
50	40	50	150	230	70,0	165	125	102	20	3	18	4	33	93	18	20	14,0	70	4xM8	55	□68	155	171	215	13,4	14,4	F 07
65	16	65	170	290	80,0	185	145	122	18	3	18	4	35	115	18	20	14,0	102	4xM10	70	□96	190	195	215	18,9	21,0	F 10
65	40	65	170	290	80,0	185	145	122	22	3	18	8	35	115	18	20	14,0	102	4xM10	70	□96	190	195	215	19,6	22,0	F 10
80	40	80	180	310	86,0	200	160	138	24	3	18	8	37	124	20	25	19,3	102	4xM10	70	□96	208	211	300	25,0	29,2	F 10
100	16	100	190	350	94,5	220	180	158	20	3	18	8	37	141	20	25	19,3	102	4xM10	70	□96	242	228	300	30,8	37,0	F 10
100	40	100	190	350	94,5	235	190	162	24	3	22	8	37	141	20	25	19,3	102	4xM10	70	□96	242	228	300	33,9	39,5	F 10
125	16	125	325	400	162,5	250	210	188	22	3	18	8	43	222	30	35	25,5	125	4xM12	85	Ø150	290	270	635	67,0	72,0	F 12
125	40	125	325	400	162,5	270	220	188	26	3	26	8	43	222	30	35	25,5	125	4xM12	85	Ø150	290	270	635	72,0	77,0	F 12
150	16	150	350	480	175,0	285	240	212	22	3	22	8	55	243	42	44	32,0	125	4xM12	85	Ø150	327	301	800	100,0	106,0	F 12
150	40	150	350	480	175,0	300	250	218	28	3	26	8	55	243	42	44	32,0	125	4xM12	85	Ø150	327	301	800	106,0	112,0	F 12
200	10	200	400	600	200,0	340	295	268	24	3	22	8	55	280	42	44	32,0	125	4xM12	85	Ø150	400	338	800	161,0	173,0	F 12
200	16	200	400	600	200,0	340	295	268	24	3	22	12	55	280	42	44	32,0	125	4xM12	85	Ø150	400	338	800	161,0	173,0	F 12
200	25	200	400	600	200,0	360	310	278	30	3	26	12	55	280	42	44	32,0	125	4xM12	85	Ø150	400	338	800	164,0	176,0	F 12
200	40	200	400	600	200,0	375	320	285	34	3	30	12	55	280	42	44	32,0	125	4xM12	85	Ø150	400	338	800	172,0	184,0	F 12
250	10	250	450	-	225,0	395	350	320	26	3	22	12	60	330	51	48	36,0	140	4xM16	100	Ø175	492	-	-	255,0	-	F 14
250	16	250	450	-	225,0	405	355	320	26	3	26	12	60	330	51	48	36,0	140	4xM16	100	Ø175	492	-	-	257,0	-	F 14
250	25	250	450	-	225,0	425	370	335	32	3	30	12	60	330	51	48	36,0	140	4xM16	100	Ø175	492	-	-	272,0	-	F 14
250	40	250	450	-	225,0	450	385	345	38	3	33	12	60	330	51	48	36,0	140	4xM16	100	Ø175	492	-	-	292,0	-	F 14
300	10	300	500	-	250,0	445	400	370	26	4	22	12	60	365	51	48	36,0	140	4xM16	100	Ø175	575	-	-	339,0	-	F 14
300	16	300	500	-	250,0	460	410	378	28	4	26	12	60	365	51	48	36,0	140	4xM16	100	Ø175	575	-	-	340,0	-	F 14
300	25	300	500	-	250,0	485	430	395	34	4	30	16	60	365	51	48	36,0	140	4xM16	100	Ø175	575	-	-	355,0	-	F 14
300	40	300	500	-	250,0	515	450	410	42	4	33	16	60	365	51	48	36,0	140	4xM16	100	Ø175	575	-	-	380,0	-	F 14

¹ Lk=kurze Bauform / short pattern DIN EN 558-1 Grundreihe 27

² Ll=lange Bauform / long pattern DIN EN 558-1 Grundreihe 1

TYP KHF 710 weich dichtend

Explosionszeichnung I & II

TYPE KHF 710 soft seats

Exploded View I & II

Abb. I:
Schwimmende
Kugel,
angefedert
DN 15 - DN 300

Fig. I:
Floating
ball,
live load
DN 15 - DN 300

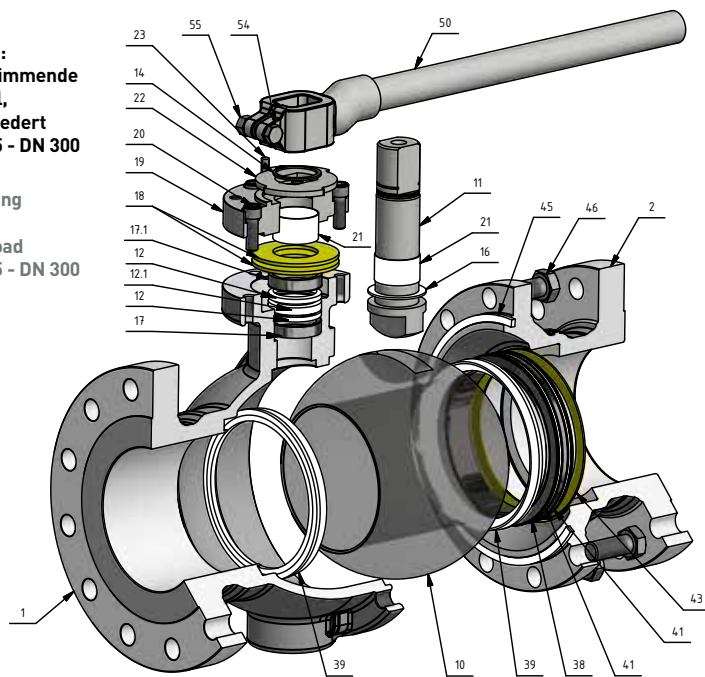
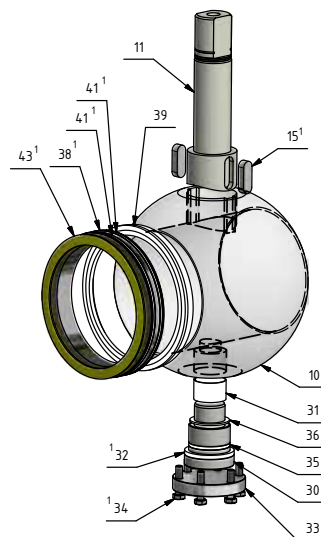


Abb. II:
Gelagerte
Kugel,
angefedert
DN 80 - DN 300

Fig. II:
Trunnion
mounted
ball,
live load
DN 80 - DN 300



STÜCKLISTE TYP KHF 710 weich dichtend

BILL OF MATERIALS TYPE KHF 710 soft seats

Positions Nr. / Item No.	Beschreibung	Item	Edelstahl Ausführung (ETE) stainless steel version	Stahl Ausführung (STE) carbon steel version
1	Gehäuse	Body	1.4408/ CF8M	1.0619/ WCB
2	Seitenteil	Side cap	1.4408/ CF8M	1.0619/ WCB
10	Kugel ²	Ball ²	1.4408/ CF8M	1.4408/ CF8
11	Schaltwelle	Stem	1.4401/ 316	1.4401/ 316
12	Dichtring ²	Stem seal ²	PTFE	PTFE
12.1	Dichtring ²	Stem seal ²	PTFE	PTFE
14	Sicherungsring	Safety ring	1.4310/ 301	1.4310/ 301
15	Passfeder ¹	Key ¹	1.4571/ 316 Ti	1.4571/ 316 Ti
16	Gleitring ²	Thrust ring ²	PTFE	PTFE
17	Druckring	Ring	1.4404/ 316L	1.4404/ 316L
17.1	Druckring	Ring	1.4404/ 316L	1.4404/ 316L
18	Tellerfeder	Cup spring	1.4310/ 301/1.4568	1.4310/ 301/1.4568
19	Deckel	Cover	1.4408/ CF8M	1.4408/ CF8M
20	Zylinderschraube	Hex.-socket screw	A2-70/ 304	A2-70/ 304
21	Lagerband	Bearing band	PTFE	PTFE
22	Anschlagscheibe	Stop disc	1.4301/ 304	1.4301/ 304
23	Anschlag	Limit stop	1.4301/ 304	1.4301/ 304
30	Lagerbolzen ¹	Trunnion ¹	1.4404/ 316L	1.4404/ 316L
31	Lagerband ¹	Bearing band ¹	PTFE	PTFE
32	Dichtring Lagerbolzen ^{1,2}	Trunnion seal ^{1,2}	PTFE	PTFE
33	Deckel ¹	Cover ¹	1.4404/ 316L	S355J2G3/ carbon steel
34	Sechskantschraube ¹	Hex. bolt ¹	A4-70/ 316	A2-70/ 304
35	O-Ring ^{1,2}	O-Ring ^{1,2}	FKM-FEP covered	FKM-FEP covered
38	Dichtringträger	Seat carrier	1.4404/ 316L	1.4404/ 316L
39	Kugeldichtring ²	Ball seat ²	TFM1600	TFM1600
41	O-Ring ²	O-Ring ²	FKM-FEP covered	FKM-FEP covered
43	Tellerfeder	Cup spring	Inconel	Inconel
45	Gehäusedichtring ²	Body gasket ²	PTFE	PTFE
46	Sechskantschraube	Hex. bolt	A4-70/ 316	A2-70/ 304
50	Handhebel	Handle	1.4308/ CF8	1.4308/ CF8
54	Sechskantschraube	Hex. bolt	steel galvanized	steel galvanized
55	Sechskantmutter	Nut	steel galvanized	steel galvanized

¹ Nur bei gelagerter Ausführung / Only for trunnion mounted design

² Empfohlene Ersatzteile / recommended spare parts

TYP KHF 710

weich dichtend

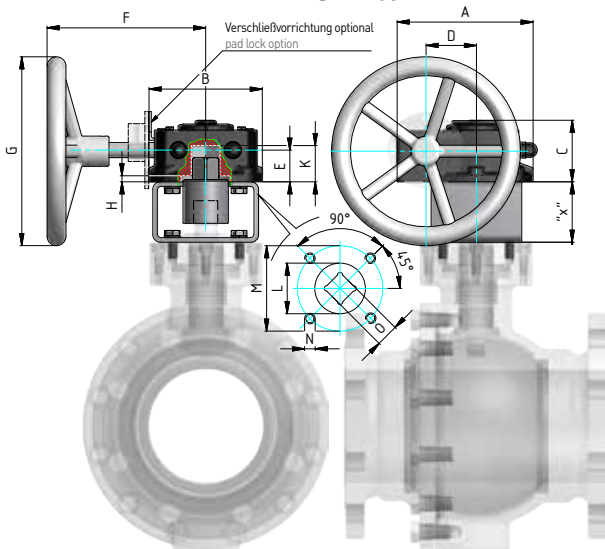
Zubehör

TYPE KHF 710

soft seats

Accessories

Handgetriebe Typ AR manual worm gear type AR



HANDGETRIEBE

TYP AR

MANUAL WORM GEAR

TYPE AR

Typ/ Type	max. torque	A	B	C	D	E	F	G	H	K	L	M	N	O	ISO 5211
AR 1	200 Nm	113,0	84,0	64,0	43,5	28,5	153,5	160,0	4,5	30,0	35,0	70,0	M8	17	F07
AR 2	800 Nm	185,0	135,0	90,5	68,8	42,5	267,5	250,0	2,5	50,0	60,0	125,0	M12	27	F12
AR 2,5	1500 Nm	206,0	156,0	97,0	84,0	45,0	328,0	500,0	2,0	60,0	85,0	140,0	M16	36	F14
AR 3	2000 Nm	236,0	180,0	100,0	96,5	50,0	340,0	500,0	2,0	65,0	85,0	140,0	M16	36	F14
AR 3,5	3000 Nm	279,0	250,0	117,5	117,5	48,5	380,0	600,0	2,0	75,0	115,0	165,0	M20	46	F16
AR 4	4000 Nm	326,0	282,0	128,0	137,5	54,5	424,0	600,0	3,5	75,0	130,0	165,0	M20	46	F16
AR 5	6500 Nm	340,0	282,0	128,0	137,5	54,5	456,0	600,0	3,5	75,0	130,0	254,0	M16	55	F25

BRÜCKENHÖHE "x"

STANDARD

DIMENSION OF BRACKET "x"

STANDARD

gear box	ball valve						
	ISO 5211	F 10	F 12	F 14	F 16	F 25	F 30
AR 1	F 07	80	80	-	-	-	-
AR 2	F 12	80	80	80	-	-	-
AR 2,5	F 14	-	80	80	-	-	-
AR 3	F 14	-	80	80	100	-	-
AR 3,5	F 14	-	80	80	100	200	-
AR 4	F 16	-	100	100	100	200	-
AR 5	F 25	-	-	200	200	200	200



Schließ-,
Rastvorrichtung
locking, blocking
device

Montageflansch
gem. ISO5211
ISO-top flange acc.
to ISO5211

Stützrohr
Ausführung
support tube
version

KONSTRUKTIONSMERKMALE:

- DGRL 2014/68/EU, AD-2000
- TA-Luft
- Fire-Safe
- Leckagerate „A“ EN 12266-1
- Angefedertes Kugeldichtsystem
- Schwimmende oder zapfengelagerte Kugel

DESIGN FEATURES:

- DGRL 2014/68/EU, AD-2000
- TA-Luft
- Fire-Safe
- Leckagerate „A“ EN 12266-1
- Live load state of the art sealing system
- Floating or trunnion mounted ball

A+R - Armaturen® GmbH

Altenhagener Str. 4a // 32107 Bad Salzufen // Telefon +49 5208 - 9102 - 0 // Telefax +49 5208 - 9102 - 90

Email: postoffice@ar-armaturen.com // Internet: www.ar-armaturen.com

© A+R Rev. 02 / 04.19 de-en

technische Änderungen vorbehalten / technical changes reserved