

Weich Dichtende

Hochleistungs-Kugelhähne

Soft Seated

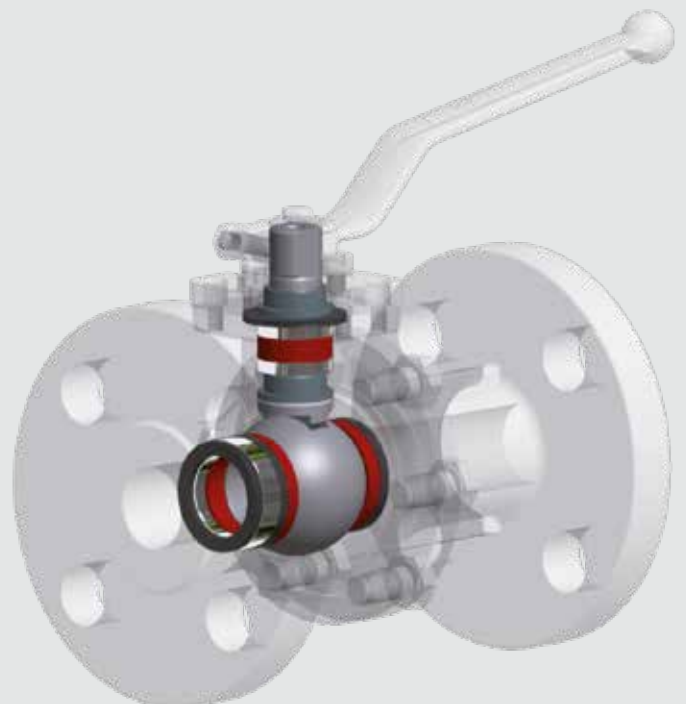
High Performance Ball Valves

TYP KHF 710

- 1/2" - 12", ANSI Class 150-600
- **Flansche & Baulängen:**
ASME B 16.5, B 16.10
- **Werkstoffe:**
1.4408 (CF8M)
1.0619 (WCB)
Sonderwerkstoffe (Duplex,
Hastelloy C4...etc.) auf Anfrage
- **Temperaturbereich:**
-50°C bis +200°C, bis +230°C auf Anfrage
-58°F bis +392°F, bis 446°F auf Anfrage

TYPE KHF 710

- 1/2" - 12", ANSI Class 150-600
- **Flange & face-to face-dimensions:**
ASME B 16.5, B 16.10
- **Materials:**
1.4408 (CF8M)
1.0619 (WCB)
Special Materials (Duplex,
Hastelloy C4...etc.) on request
- **Temperature range:**
-50° up to +200°C, up to +230°C on request
-58°F up to +392°F, up to 446°F on request



TYP KHF 710 weich dichtend

Maßzeichnung

TYPE KHF 710 soft seats

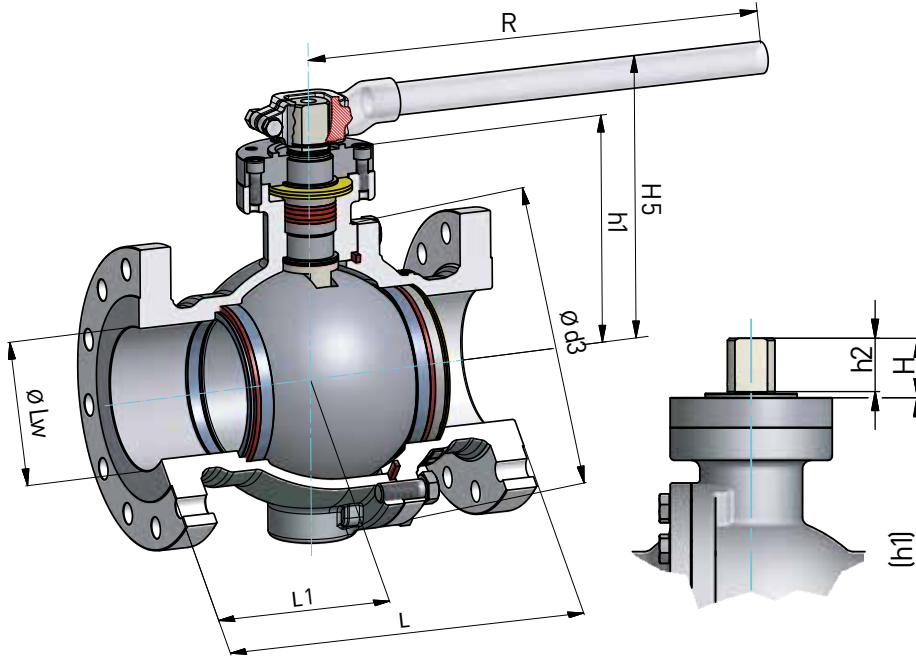
Dimensional Drawing

Flanschanschluss nach ASME B16.5

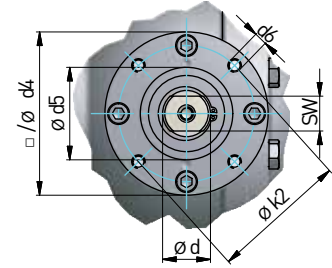
Standard Dichtleiste: raised face (andere auf Anfrage)

flange connection according to ASME B16.5

flange facing: standard raised face (others on request)



DIN EN ISO 5211



ISO 5211	Øk2	d5	thread length	Ød5 (f8)	Ø/ d4
F 05	50,0	4 x M6	10,0	35,0	□48
F 07	70,0	4 x M8	12,0	55,0	□68
F 10	102,0	4 x M10	15,0	70,0	□96
F 12	125,0	4 x M12	18,0	85,0	Ø150
F 14	140,0	4 x M16	24,0	100,0	Ø175
F 16	165,0	4 x M20	30,0	130,0	Ø210
F 25	254,0	8 x M16	24,0	200,0	Ø285
F 30	298,0	8 x M20	30,0	230,0	Ø350

MAßTABELLE TYP KHF 710 weich dichtend

MEASURING GUIDE TYPE KHF 710 soft seats

NPS	Lw	L			L1			H		h1		h2		Ød		SW		Ød3			H5		R			Weight Kg			ISO 5211		
		150	300	600	150	300	600	150	300	150	300	150	300	150	300	150	300	150	300	600	150	150	150	300	600	150	300	600			
1/2"	mm	16,0	108,0	139,7	165,1	47,0	47,0	58,0	17,0	17,0	63,0	63,0	10,0	10,0	16,0	16,0	12,4	12,4	90,0	90,0	91,0	133,0	160,0	3,0	3,7	4,2	F05	F05	F05		
	in	0,63	4,25	5,50	6,50	1,85	1,85	2,28	0,67	0,67	2,48	2,48	0,39	0,39	0,63	0,63	0,49	0,49	3,54	3,54	3,58	5,24	6,30								
3/4"	mm	19,0	117,3	152,4	190,5	48,0	48,0	58,0	17,0	17,0	63,0	63,0	10,0	10,0	16,0	16,0	12,4	12,4	90,0	90,0	91,0	133,0	160,0	3,3	4,7	5,4	F05	F05	F05		
	in	0,75	4,62	6,00	7,50	1,89	1,89	2,28	0,67	0,67	2,48	2,48	0,39	0,39	0,63	0,63	0,49	0,49	3,54	3,54	3,58	5,24	6,30								
1"	mm	25,0	127,0	165,1	215,9	48,0	63,0	78,0	17,0	17,0	63,0	63,0	10,0	10,0	16,0	16,0	12,4	12,4	90,0	90,0	105,0	133,0	160,0	3,7	5,3	7,1	F05	F05	F05		
	in	0,98	5,00	6,50	8,50	1,89	2,48	3,07	0,67	0,67	2,48	2,48	0,39	0,39	0,63	0,63	0,49	0,49	3,54	3,54	4,13	5,24	6,30								
1 1/2"	mm	38,1	165,1	190,5	241,3	67,5	67,5	102,5	29,0	29,0	80,0	80,0	14,0	14,0	20,0	20,0	14,0	14,0	120,0	120,0	130,0	158,0	215,0	7,4	10,6	13,5	F07	F07	F07		
	in	1,50	6,50	7,50	9,50	2,66	2,66	4,04	1,14	1,14	3,15	3,15	0,55	0,55	0,79	0,79	0,55	0,55	4,72	4,72	5,12	6,22	8,46								
2"	mm	50,0	177,8	215,9	292,1	70,0	77,5	112,5	33,0	33,0	93,0	93,0	18,0	18,0	20,0	20,0	14,0	14,0	152,0	155,0	160,0	171,0	215,0	12,1	15,4	19,8	F07	F07	F07		
	in	1,97	7,00	8,50	11,50	2,76	3,05	4,43	1,30	1,30	3,66	3,66	0,71	0,71	0,79	0,79	0,55	0,55	5,98	6,10	6,30	6,73	8,46								
2 1/2"	mm	64,0	190,5	241,3	330,2	80,0	80,0	102,5	35,0	35,0	115,0	115,0	18,0	18,0	20,0	20,0	14,0	14,0	190,0	190,0	190,0	195,0	215,0	19,5	23,0	29,7	F10	F10	F10		
	in	2,52	7,50	9,50	13,00	3,15	3,15	4,04	1,38	1,38	4,53	4,53	0,71	0,71	0,79	0,79	0,55	0,55	7,48	7,48	7,48	7,68	8,46								
3"	mm	76,1	203,2	282,5	355,6	82,5	102,5	142,5	37,0	37,0	124,5	124,5	20,0	20,0	25,0	25,0	19,3	19,3	202,0	202,0	215,0	211,0	300,0	24,5	32,4	41,7	F10	F10	F10		
	in	3,00	8,00	11,12	14,00	3,25	4,04	5,61	1,46	1,46	4,90	4,90	0,79	0,79	0,98	0,98	0,76	0,76	7,95	7,95	8,46	8,31	11,81								
4"	mm	100,0	228,6	304,8	431,8	94,5	117,5	162,5	37,0	37,0	141,0	141,0	20,0	20,0	25,0	25,0	19,3	19,3	235,0	238,0	253,0	228,0	300,0	36,1	48,7	75,5	F10	F10	F10		
	in	3,94	9,00	12,00	17,00	3,72	4,63	6,40	1,46	1,46	5,55	5,55	0,79	0,79	0,98	0,98	0,76	0,76	9,25	9,37	9,96	8,98	11,81								
6"	mm	150,0	393,7	403,4	558,8	175,0	195,0	210,0	55,0	55,0	242,5	242,5	41,5	41,5	44,0	44,0	32,0	32,0	320,0	320,0	365,0	301,0	800,0	95,2	113,8	182,0	F12	F12	F12		
	in	5,91	15,50	15,88	22,00	6,89	7,68	8,27	2,17	2,17	9,55	9,55	1,63	1,63	1,73	1,73	1,26	1,26	12,60	12,60	14,37	11,85	31,50								
8"	mm	200,0	457,2	501,7	660,4	210,0	235,0	265,0	55,0	55,0	280,0	280,0	41,5	41,5	44,0	44,0	32,0	32,0	397,0	405,0	465,0	338,0	800,0	159,5	193,3	348,5	F12	F12	F16		
	in	7,87	18,00	19,75	26,00	8,27	9,25	10,43	2,17	2,17	11,02	11,02	1,63	1,63	1,73	1,73	1,26	1,26	15,63	15,94	18,31	13,31	31,50								
10"	mm	250,0	533,4	568,5	787,4	245,0	275,0	310,0	60,0	81,0	330,0	337,0	51,0	74,0	48,0	70,0	36,0	50,0	487,0	505,0	540,0	-	-	255,5	329,6	596,0	F14	F16	F25		
	in	9,84	21,00	22,38	31,00	9,65	10,83	12,20	2,36	3,19	12,99	13,27	2,01	2,91	1,89	2,76	1,42	1,97	19,17	19,88	21,26										
12"	mm	300,0	609,6	647,7	838,2	270,0	305,0	360,0	60,0	120,0	365,0	460,0	51,0	99,5	48,0	98,0	36,0	75,0	570,0	580,0	640,0	-	-	361,8	456,9	934,0	F14	F16	F30		
	in	11,81	24,00	25,50	33,00	10,63	12,01	14,17	2,36	4,72	14,37	18,11	2,01	3,92	1,89	3,86	1,42	2,95	22,44	22,83	25,20										

TYP KHF 710 weich dichtend

Explosionszeichnung I & II

TYPE KHF 710 soft seats

Exploded View I & II

Abb. I:
Schwimmende
Kugel,
angefedert
NPS 1/2" - 12"

Fig. I:
Floating
ball,
live load
NPS 1/2" - 12"

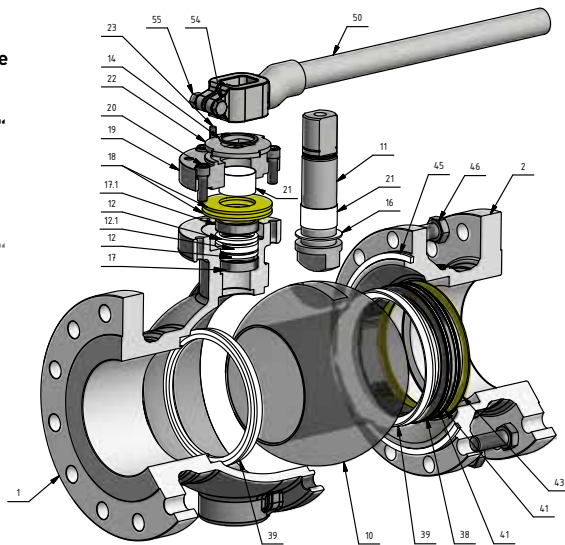
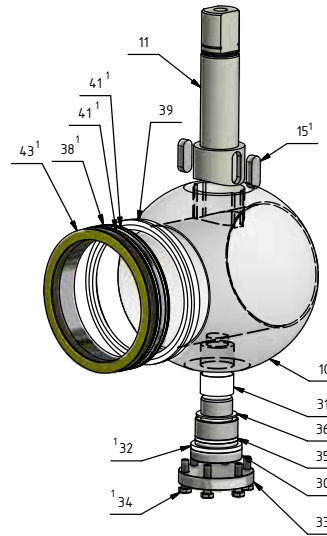


Abb. II:
Gelagerte
Kugel,
angefedert
NPS 3" - 12"

Fig. II:
Trunnion
mounted
ball,
live load
NPS 3" - 12"



STÜCKLISTE TYP KHF 710 weich dichtend

BILL OF MATERIALS TYPE KHF 710 soft seats

Positions Nr. / Item No.	Beschreibung	Item	Edelstahl Ausführung (ETE) stainless steel version	Stahl Ausführung (STE) carbon steel version
1	Gehäuse	Body	1.4408/ CF8M	1.0619/ WCB
2	Seitenteil	Side cap	1.4408/ CF8M	1.0619/ WCB
10	Kugel ²	Ball ²	1.4408/ CF8M	1.4408/ CF8
11	Schaltwelle	Stem	1.4401/ 316	1.4401/ 316
12	Dichtring ²	Stem seal ²	PTFE	PTFE
12.1	Dichtring ²	Stem seal ²	PTFE	PTFE
14	Sicherungsring	Safety ring	1.4310/ 304	1.4310/ 304
15	Passfeder ¹	Key ¹	1.4571/ 316 Ti	1.4571/ 316 Ti
16	Gleitring ²	Thrust ring ²	PTFE	PTFE
17	Druckring	Ring	1.4404/ 316L	1.4404/ 316L
17.1	Druckring	Ring	1.4404/ 316L	1.4404/ 316L
18	Tellerfeder	Cup spring	1.4310/ 304/1.4568	1.4310/ 304/1.4568
19	Deckel	Cover	1.4408/ CF8M	1.4408/ CF8M
20	Zylinderschraube	Hex.-socket screw	A2-70/ 304	A2-70/ 304
21	Lagerband	Bearing band	PTFE	PTFE
22	Anschlagscheibe	Stop disc	1.4301/ 304	1.4301/ 304
23	Anschlag	Limit stop	1.4301/ 304	1.4301/ 304
30	Lagerbolzen ¹	Trunnion ¹	1.4404/ 316L	1.4404/ 316L
31	Lagerband ¹	Bearing band ¹	PTFE	PTFE
32	Dichtring Lagerbolzen ^{1,2}	Trunnion seal ^{1,2}	PTFE	PTFE
33	Deckel ¹	Cover ¹	1.4404/ 316L	S355J2G3/ carbon steel
34	Sechskantschraube ¹	Hex bolt ¹	A4-70/ 316	A2-70/ 304
35	O-ring ^{1,2}	O-Ring ^{1,2}	FKM-FEP covered	FKM-FEP covered
38	Dichtringträger	Seat carrier	1.4404/ 316L	1.4404/ 316L
39	Kugeldichtring ²	Ball seat ²	TFM1600	TFM1600
41	O-ring ²	O-Ring ²	FKM-FEP covered	FKM-FEP covered
43	Tellerfeder	Cup spring	Inconel	Inconel
45	Gehäusedichtring ²	Body gasket ²	PTFE	PTFE
46	Sechskantschraube	Hex bolt	A4-70/ 316	A2-70/ 304
50	Handhebel	Handle	1.4308/ CF8	1.4308/ CF8
54	Sechskantschraube	Hex bolt	steel galvanized	steel galvanized
55	Sechskantmutter	Nut	steel galvanized	steel galvanized

¹ Nur bei gelagerter Ausführung/ Only for trunnion mounted design

² Empfohlene Ersatzteile / recommended spare parts

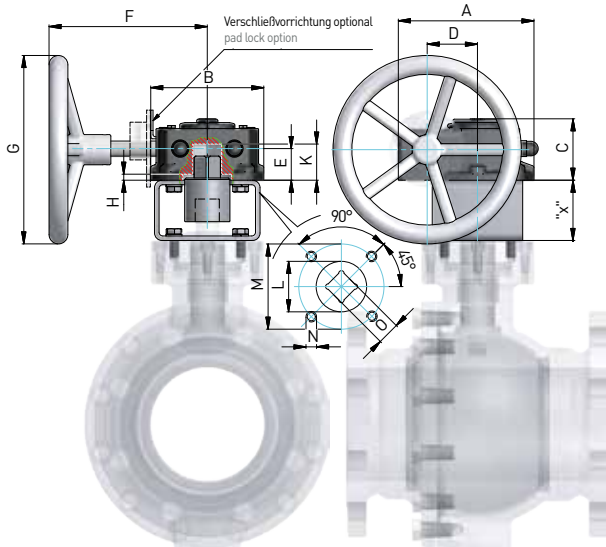
TYP KHF 710 weich dichtend

Zubehör

TYPE KHF 710 soft seats

Accessories

Handgetriebe Typ AR manual worm gear type AR



HANDGETRIEBE

TYP AR

MANUAL WORM GEAR

TYPE AR

Typ/ Type	max. torque	A	B	C	D	E	F	G	H	K	L	M	N	O	ISO 5211
AR 1	200 Nm	113,0	84,0	64,0	43,5	28,5	153,5	160,0	4,5	30,0	35,0	70,0	M8	17	F07
AR 2	800 Nm	185,0	135,0	90,5	68,8	42,5	267,5	250,0	2,5	50,0	60,0	125,0	M12	27	F12
AR 2,5	1500 Nm	206,0	156,0	97,0	84,0	45,0	328,0	500,0	2,0	60,0	85,0	140,0	M16	36	F14
AR 3	2000 Nm	236,0	180,0	100,0	96,5	50,0	340,0	500,0	2,0	65,0	85,0	140,0	M16	36	F14
AR 3,5	3000 Nm	279,0	250,0	117,5	117,5	48,5	380,0	600,0	2,0	75,0	115,0	165,0	M20	46	F16
AR 4	4000 Nm	326,0	282,0	128,0	137,5	54,5	424,0	600,0	3,5	75,0	130,0	165,0	M20	46	F16
AR 5	6500 Nm	340,0	282,0	128,0	137,5	54,5	456,0	600,0	3,5	75,0	130,0	254,0	M16	55	F25

BRÜCKENHÖHE "x"

STANDARD

DIMENSION OF BRACKET "x"

STANDARD

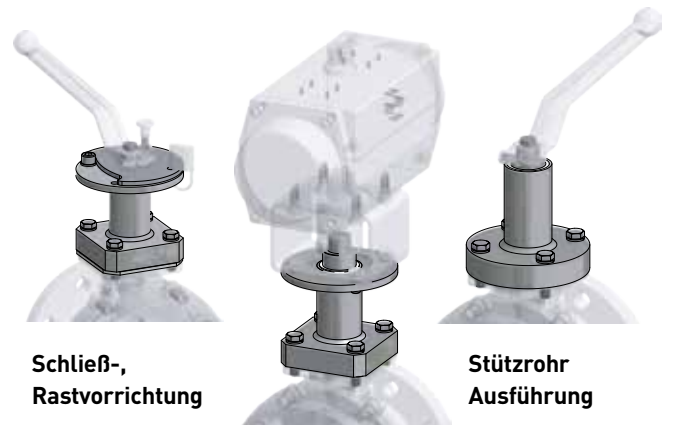
gear box	ball valve						
	ISO 5211	F 10	F 12	F 14	F 16	F 25	F 30
AR 1	F 07	80	80	-	-	-	-
AR 2	F 12	80	80	80	-	-	-
AR 2,5	F 14	-	80	80	-	-	-
AR 3	F 14	-	80	80	100	-	-
AR 3,5	F 14	-	80	80	100	200	-
AR 4	F 16	-	100	100	100	200	-
AR 5	F 25	-	-	200	200	200	200

KONSTRUKTIONSMERKMALE:

- DGRL 2014/68/EU, AD-2000
- ASME B16.34
- TA-Luft
- Fire-Safe
- Leckagerate „A“ EN 12266-1/ Class VI FCI 70-2
- Angefedertes Kugeldichtsystem
- Schwimmende oder zapfengelagerte Kugel

DESIGN FEATURES:

- DGRL 2014/68/EU, AD-2000
- ASME B16.34
- TA-Luft
- Fire-Safe
- Leckagerate „A“ EN 12266-1/ Class VI FCI 70-2
- Live load state of the art sealing system
- Floating or trunnion mounted ball



Schließ-,
Rastvorrichtung
locking, blocking
device

Montageflansch
gem. ISO5211
ISO-top flange acc.
to ISO5211

Stützrohr
Ausführung
support tube
version

A+R - Armaturen® GmbH

Altenhagener Str. 4a // 32107 Bad Salzfluten // Telefon +49 5208 - 9102 - 0 // Telefax +49 5208 - 9102 - 90

Email: postoffice@ar-armaturen.com // Internet: www.ar-armaturen.com

© A+R Rev. 01 / 03.18 de-en

technische Änderungen vorbehalten / technical changes reserved