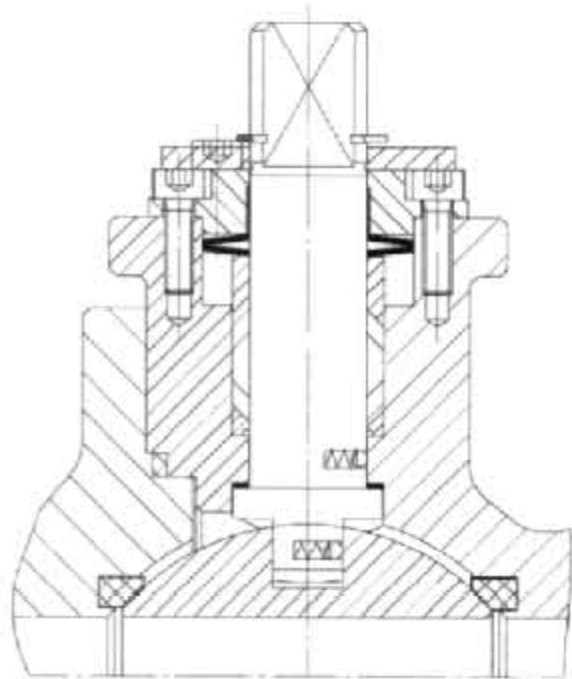


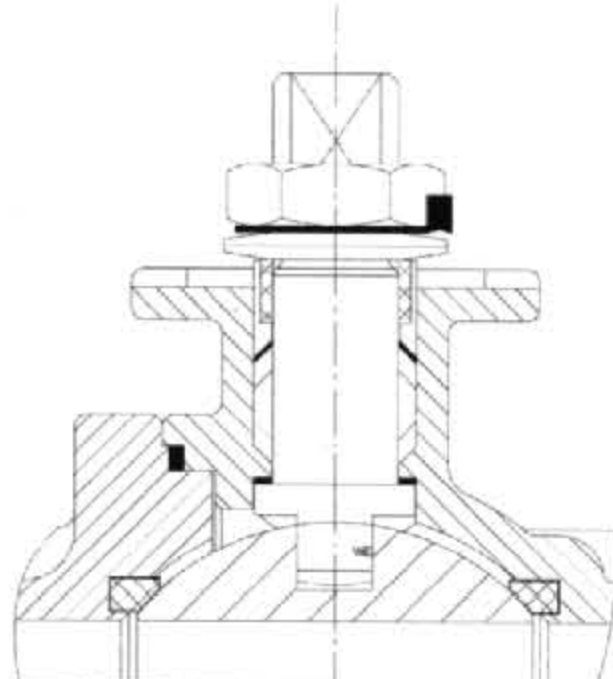


Ball Valves for Special Applications:

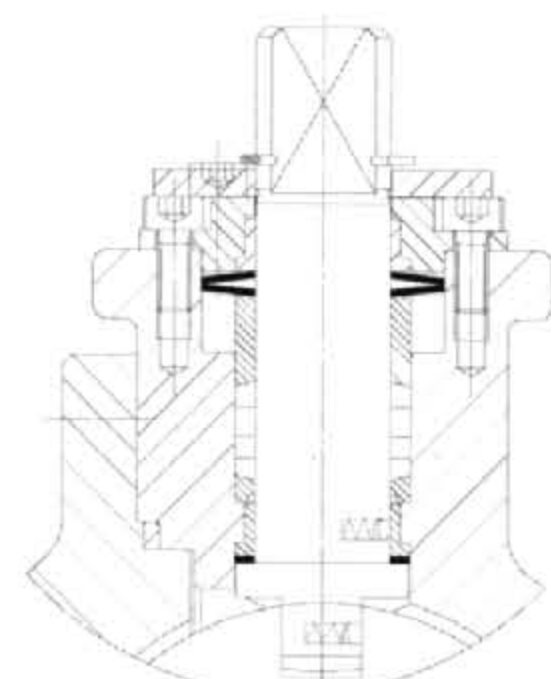
- **Materials:** 1.0619 (GP240GH), C22.8, 1.4408, 1.4308, 1.4571, 1.4581, 1.4539, 1.4462, Hastelloy, Monel u. a.
- **Applicable for hot, critical, erosive Fluids, Gases and solid partial Media up to +400 °C, up to PN 63, ANSI 300 Lbs**
- **Sealing Systems made by PTFE, PEEK, Carbon - Graphite, Metal - Metal**
- **Double Safty Stuffing Boxes**
- **Pressure Release Devices**
- **Cavity Vortex and Floating Devices**
- **Extended Flow Diameter for Pigging**
- **Ball Valves for Granulate**
- **Bottom outlet Ball Valves**
- **Multi Way Ball Valves**
- **Gauge Ball Valves**



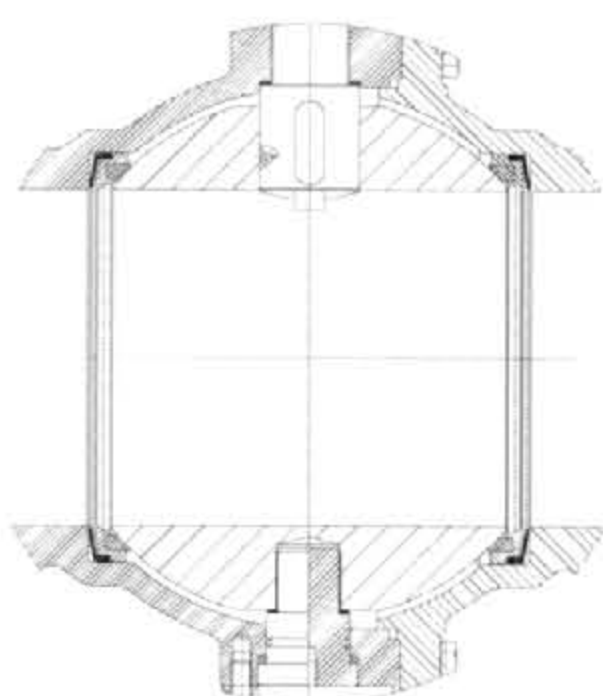
Stuffing box with bearing, pre-stressed and 3 parts wedge-shaped PTFE Rings



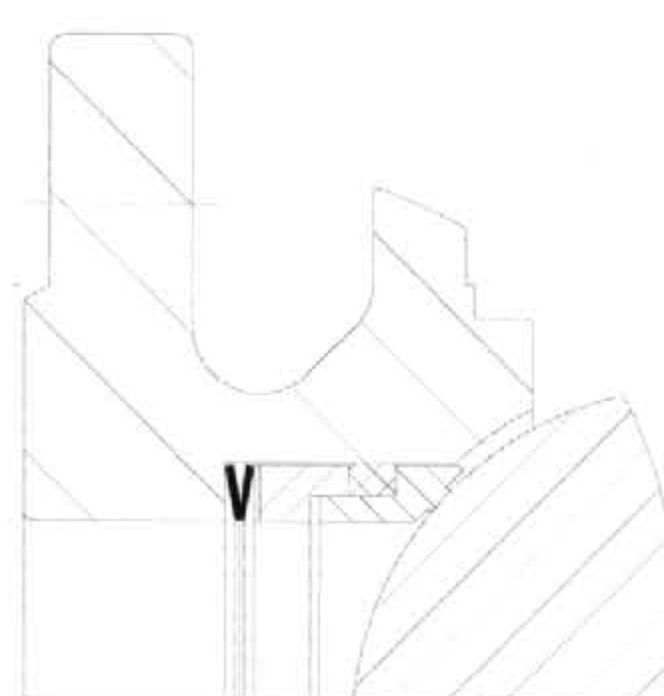
Stuffing box with bearing, pre-stressed, emergency adjustable and 3 parts wedge-shaped PTFE Rings



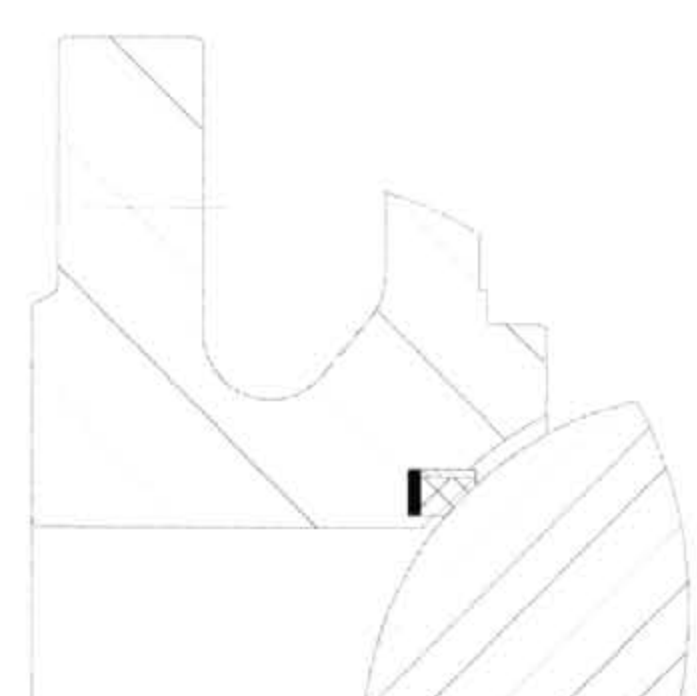
Stuffing box with double bearing, pre-stressed and 4 parts Graphite Rings



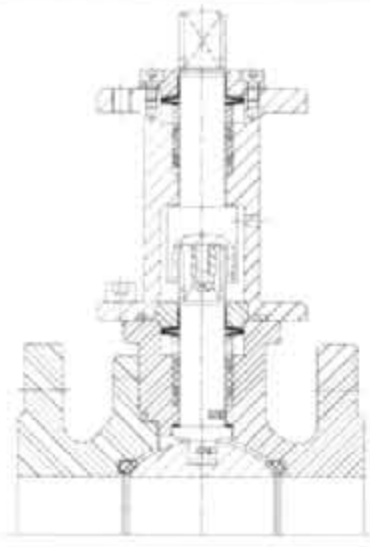
Chambered Ball Sealing by PTFE, „double block and bleed“



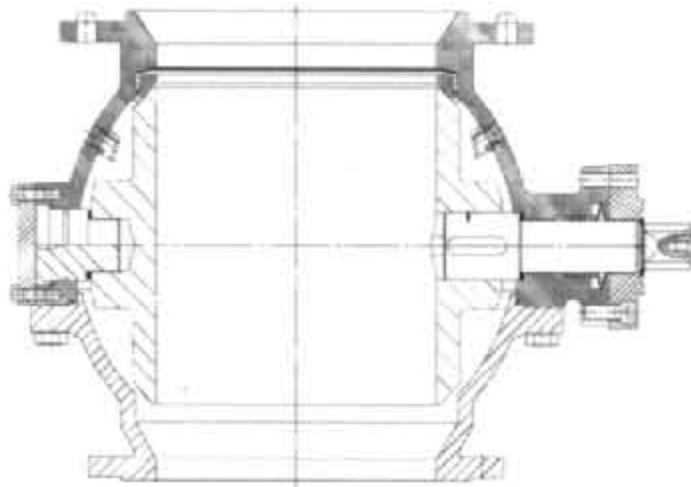
Ball Sealing with scraping edge, Metal - Metal or PEEK



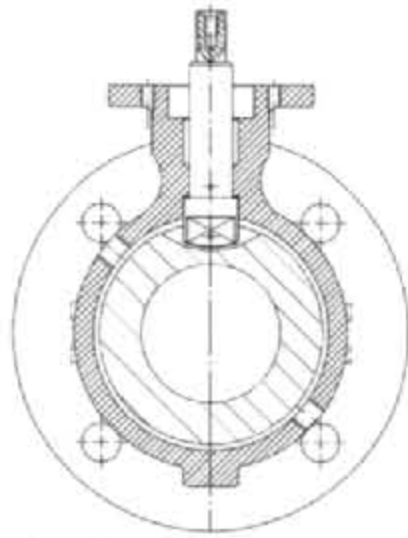
Ball Sealing by Carbon antimon impregnated, chambered by Metal Ring



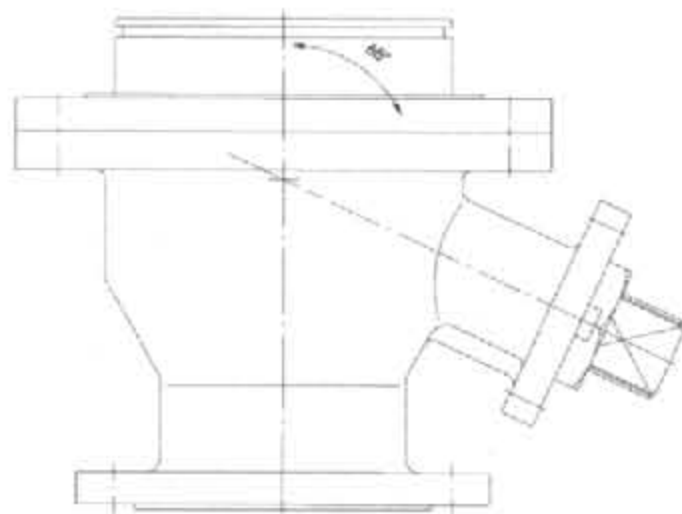
**Ball Valves with double Stuffing Box and Connection for Leakage Sensor.
Applicable for poisonous and environmental hazardous Fluids**



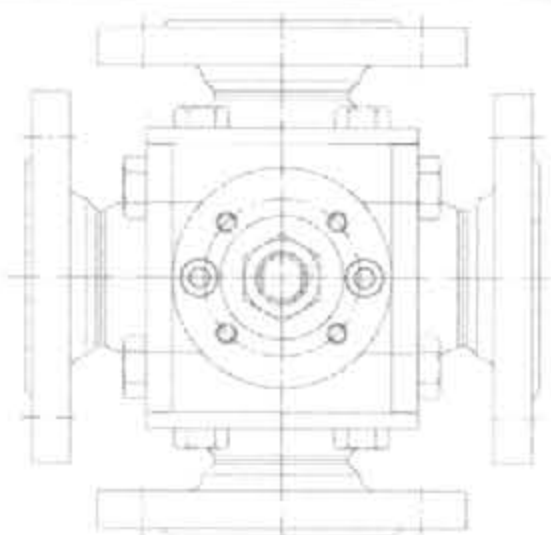
**Ball Valves for Granulate.
No dead Space, Trunnion mounted Ball**



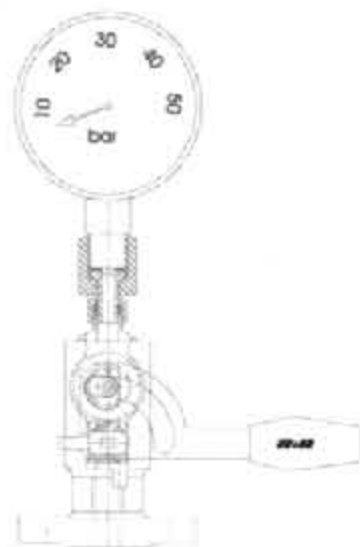
Ball Valves with pneumatic Vortex Device or hydraulic cavity floating for dusty fluids and pastes



Bottom outlet Ball Valves with inclined switching Shaft for Actuator assembling under Tank Bottom



Multi-Way-Ball Valves as 3-way or 4-way Version, T- or L-port with and without overlapping



**Gauge Ball Valves with Design Patent protected Safty Release Valve
(Dt. Patent- and Markenamt Nr. 201 13 638.4)**